

**MT-20  
CATALOGUE**

**PRECAST CONCRETE EQUIPMENT**

**DESIGN  
MANUFACTURING  
&  
INSTALLATION**



**A LONG TERM PARTNER**

[www.moldtechsl.es](http://www.moldtechsl.es)

# MT20 MODULAR SYSTEM FOR DRY-CAST BOX CULVERTS



Production process video.

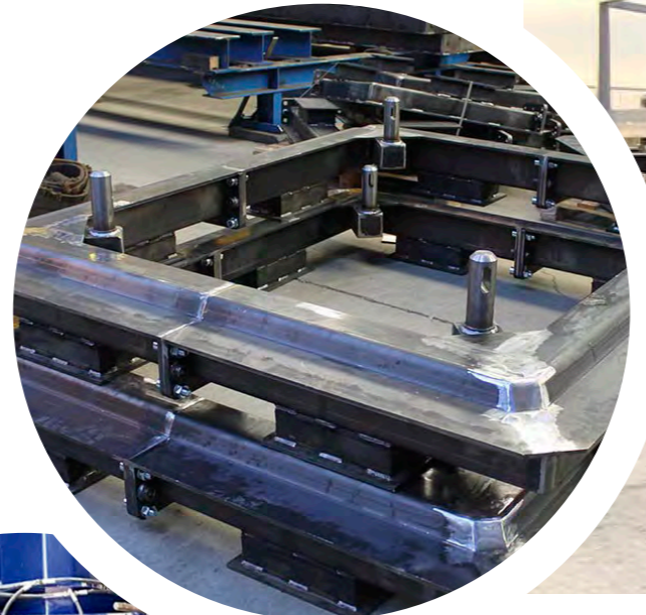


## ADVANTAJES:

- High performance.
- Output: 8 box culverts in less than 8 hours.
- To be operated by 2 persons only.
- All movements carried out hydraulically.
- Maximum robustness.

## FLEXIBLE:

- Producing sizes from 2x2 meters to 4x3 meters.
- Thickness of frames from 115 to 25 cm.
- Height of box culvert from 1 to 2 meters.
- Does not require civil works for installation.
- Can be transported to building site.



The base is placed on the ground and the outer and inner moulds are situated on top of the base by using a gantry crane. Both moulds are fixed to the base using hydraulic clamps. After taking off the press from the top side, the frame is placed between the inner and outer mould.



After this, the concrete is poured uniformly between the two sides. Once the mould has been filled as much as is required, the upper frame press is put in place and the vibropressing system is activated.

The next step is to open the hydraulic clamps and remove the outer and inner moulds, both of which are attached to the press on top. This leaves the concrete element on the base where it is left untouched until it is fully cured. The process is then repeated on the next base.



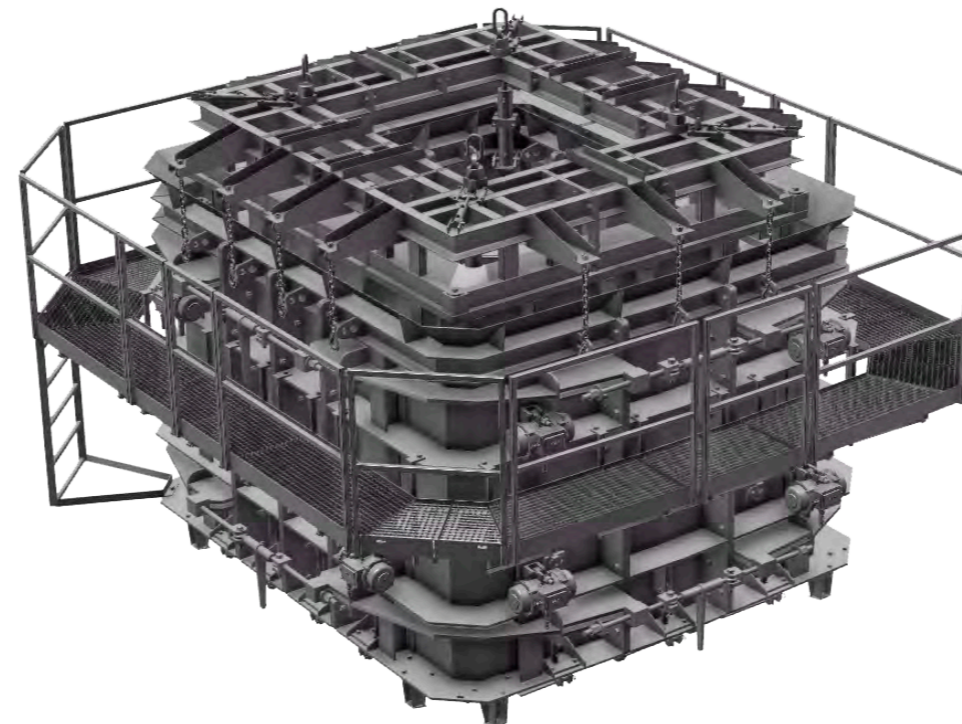
All operations can be carried out using 2 workers reducing there by the costs of the final product.





All the joints of the components of the MT20 are machine drilled in order to guarantee a perfect alignment and adjustment.

All joints have features facilitating its placement and extraction for facilitate the assembly and disassembly of the supplements.



### OPTIMIZING THE DESIGN

The MT20 has been designed using the latest CAD 3D technology which allows to perform simulations in order to evaluate resistance and security, the easiness of assembly and the productivity of the mould thereby enhancing the quality of the mould.

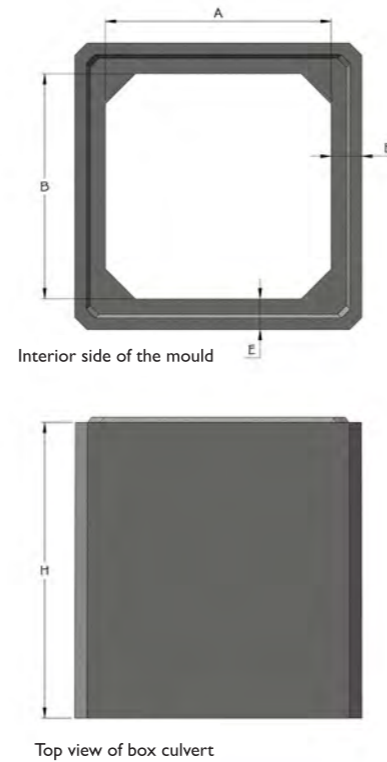
Moldtech has the latest design and structural calculation tools in order to innovate, improve and develop new machines with higher perception.



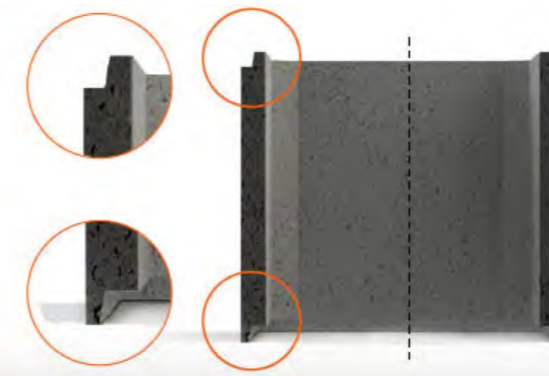
The MT 20 is an adjustable mould which, by using supplements, allows to make a wide variety of sizes and thicknesses.

The exterior mould, the interior mould and the bases are adjusted inserting or extracting these supplements achieving a product tailored to the specific need of our clients.

SIZES AxB	THICKNESS E	HEIGHT H
6.5 x 6.5 ft.	0.59 - 0.65 - 0.82 ft.	3.3 - 4.9 - 6.5 ft.
6.5 x 8.2 ft.	0.59 - 0.65 - 0.82 ft.	3.3 - 4.9 - 6.5 ft.
6.5 x 9.8 ft.	0.59 - 0.65 - 0.82 ft.	3.3 - 4.9 - 6.5 ft.
6.5 x 11.4 ft.	0.59 - 0.65 - 0.82 ft.	3.3 - 4.9 - 6.5 ft.
6.5 x 13.1 ft.	0.59 - 0.65 - 0.82 ft.	3.3 - 4.9 - 6.5 ft.
8.2 x 8.2 ft.	0.59 - 0.65 - 0.82 ft.	3.3 - 4.9 - 6.5 ft.
8.2 x 9.8 ft.	0.59 - 0.65 - 0.82 ft.	3.3 - 4.9 - 6.5 ft.
8.2 x 11.5 ft.	0.59 - 0.65 - 0.82 ft.	3.3 - 4.9 - 6.5 ft.
8.2 x 13.1 ft.	0.59 - 0.65 - 0.82 ft.	3.3 - 4.9 - 6.5 ft.
9.8 x 9.8 ft.	0.59 - 0.65 - 0.82 ft.	3.3 - 4.9 - 6.5 ft.
9.8 x 11.5 ft.	0.59 - 0.65 - 0.82 ft.	3.3 - 4.9 - 6.5 ft.
9.8 x 13.1 ft.	0.59 - 0.65 - 0.82 ft.	3.3 - 4.9 - 6.5 ft.



**Possibility of manufacturing different additional measures upon request**



### THE SET IS MADE UP OF

- 2x2 mould with variable thickness
- Press chassis
- 1 press with upper part of tongue-and-groove joint
- 10 ring bases with Silent blocks for Floor insulation
- Electrical vibration system with frequency inverters
- Hydraulic Control Centre
- Interchangeable panels for sizes in excess of 2x2 with mechanized edges for a perfect fit of measurements
- Work gangway.



# Moldtech

EQUIPMENT FOR PRECAST CONCRETE PLANTS



## SEVILLE, SPAIN, EUROPE

C/ Polysol Uno, 40  
Pol. Industrial Piedra Hincada  
41500 Alcalá de Guadaira, Seville

TL\_ +34 955 44 41 90  
E\_ info@moldtechsl.es

[www.moldtechsl.es](http://www.moldtechsl.es)

