



**PRECAST CONCRETE ELEMENTS
FOR ROADS AND BRIDGES**

www.moldtechsl.es

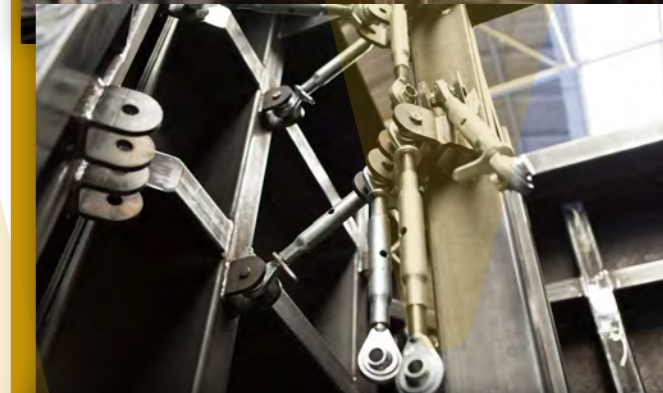
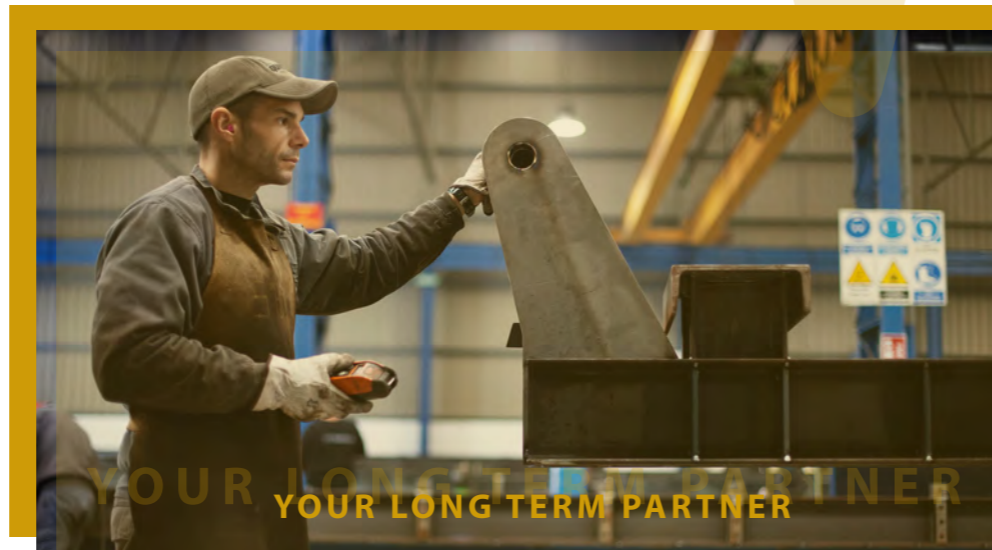


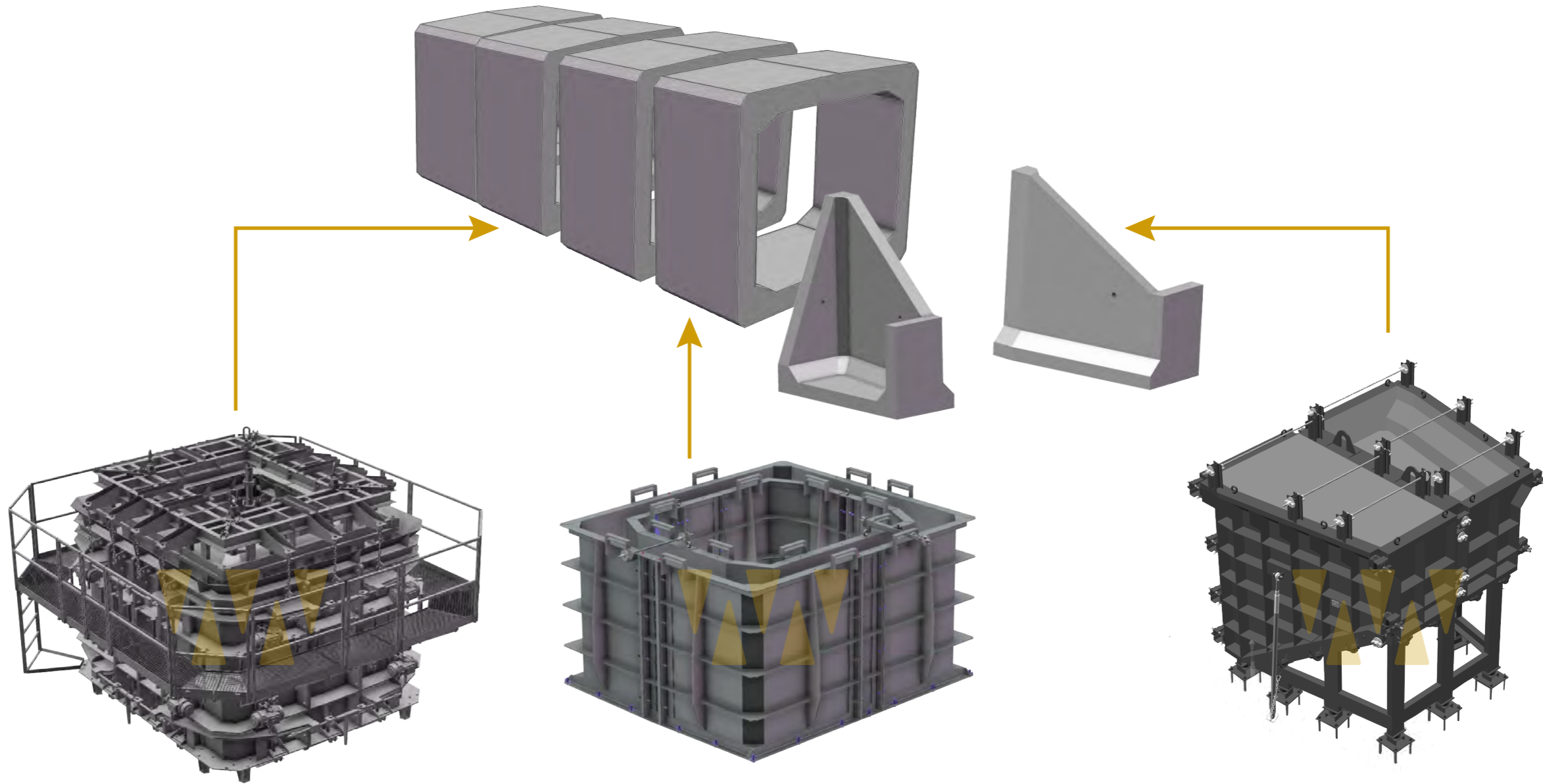
PRECAST CONCRETE ELEMENTS FOR ROADS AND BRIDGES

MOLDTECH offers mould for precast concrete elements for roads and bridges like:

- L0, L1, L2, L3
- A0, A1, A2, A3
- P1, P2
- C1, C2, C3
- CP2
- C2, P2, T2
- Prestressed concrete slabs
- Reinforced concrete elevations

They are produced according to the European norms and the IPTANA projects.

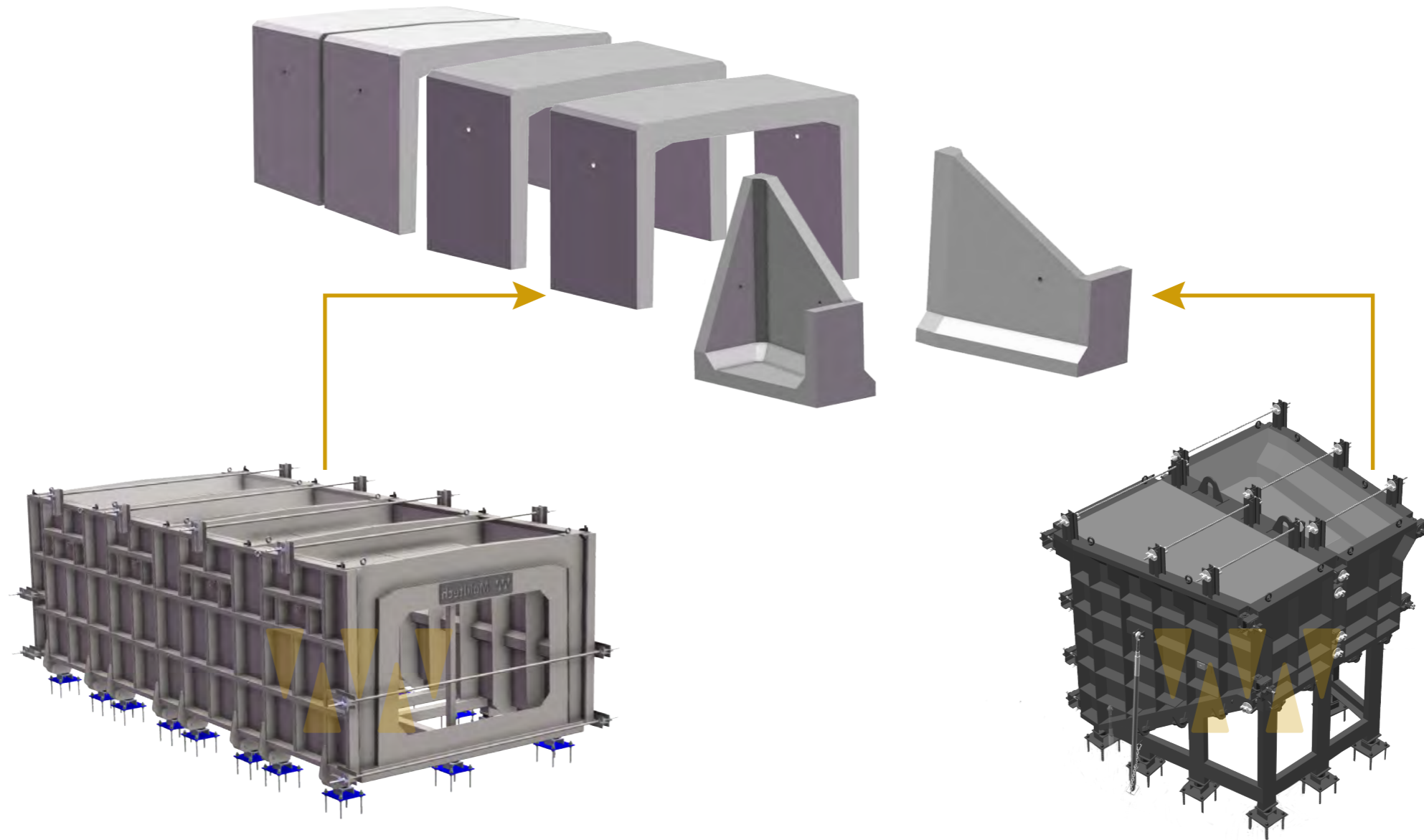




MT-20 - Dry cast
Up to 10 pieces per day.

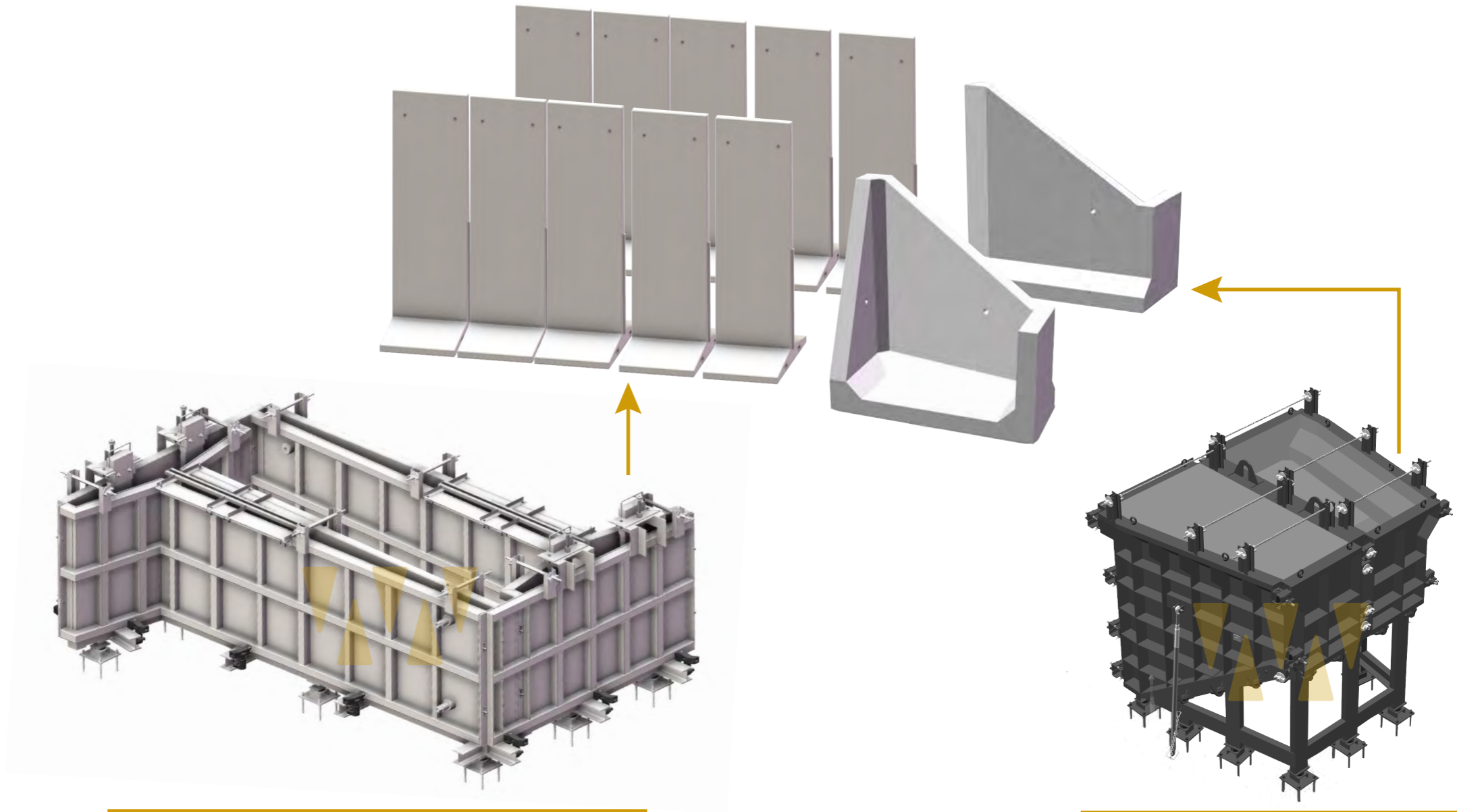
Modular Wet cast mould
Up to 2 pieces per day.

Reinforced concrete bridge wings (A0, A1, A2, A3)
Up to 2 pieces per day.



U-Shaped precast concrete elements for roads and bridges (P2)
Several pieces per day in battery mould configuration.

Reinforced concrete bridge wings (A0, A1,A2, A3)
Up to 2 pieces per day.



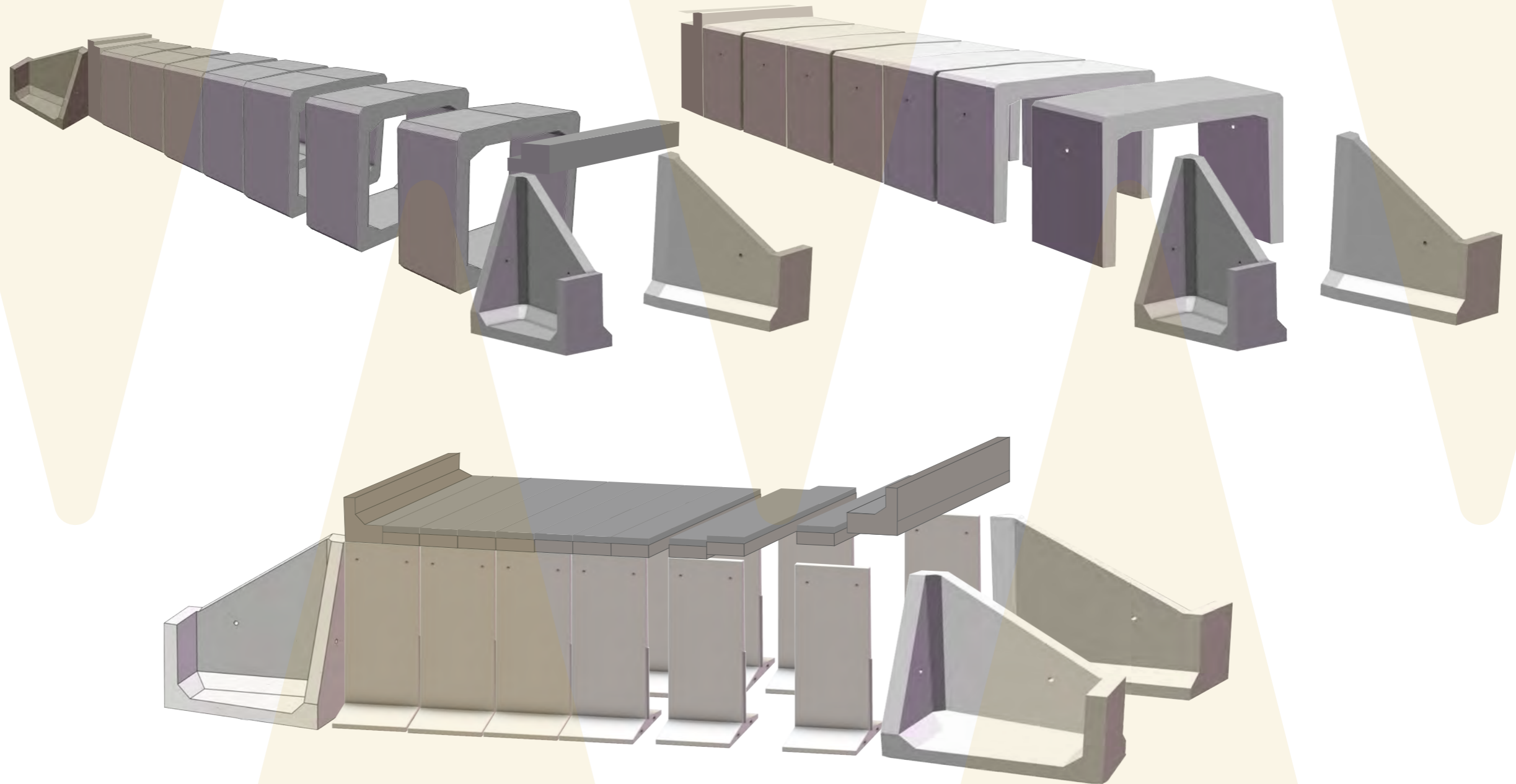
T-Shaped precast concrete elements for roads and bridges (L0, L1, 2, L3)
Up to 2 pieces per day.

Reinforced concrete bridge wings (A0, A1, A2, A3)
Up to 2 pieces per day.



PRECAST CONCRETE ELEMENTS FOR ROADS AND BRIDGES

www.moldtechsl.es





PRECAST CONCRETE ELEMENTS FOR ROADS AND BRIDGES

www.moldtechsl.es





www.moldtechsl.es

info@moldtechsl.es



**C/ Polysol Uno nº 40. Polígono Piedra Hincada
41500 - Alcalá de Guadaira - Seville - Spain
+34 955 444 190**

Catalogue
of products

